

## DS-2CE56F7T-(A)VPIT3Z

### 3MP Motorized VF Proof EXIR EXIR Dome Camera



#### Key Features

- 3 Megapixel high-performance CMOS
- Analog HD output, up to 3MP resolution
- 2.8-12mm motorized vari-focal lens
- True Day/Night
- OSD menu, DNR, Smart IR
- True WDR, up to 120dB
- EXIR technology, up to 40m IR distance
- IP66 weatherproof & vandal proof
- Up the Coax(HIKVISION-C)



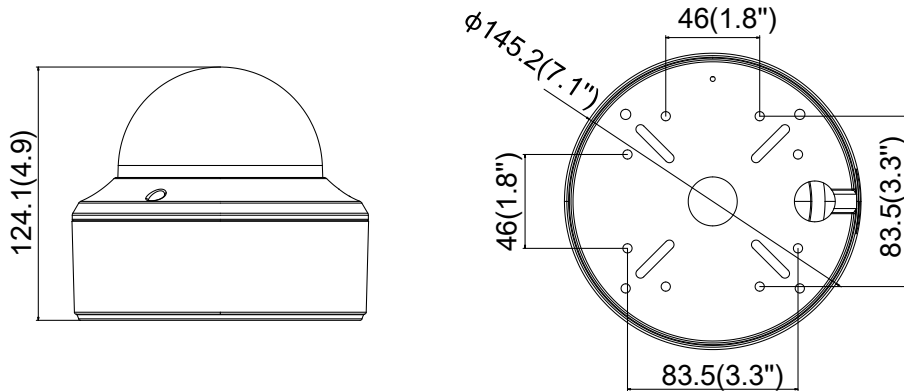
## Specifications

<b>Camera</b>	
Image Sensor	3MP CMOS Image Sensor
Effective Pixels	2052(H)*1536(V)
Min. illumination	0.01 Lux @ (F1.2,AGC ON),0 Lux with IR
Shutter Time	1/25s to 1/50,000s
Lens	Motorized VF lens; 2.8 - 12 mm @ F1.2
Lens Mount	φ14
Day & Night	ICR
Angle Adjustment	Pan: 0° - 340°; Tilt:0° - 75°; Rotate: 0° - 355°
Synchronization	Internal Synchronization
WDR	120dB
Video Frame Rate	1920×1536@18fps
HD Video Output	1 Analog HD output
S/N Ratio	> 62dB
<b>Menu</b>	
AGC	Support
D/N Mode	Color/BW/SMART
White Balance	ATW/ MWB
BLC	Support
Functions	Wide Dynamic Range, Digital noise reduction, Digital zoom(62x), Mirror, Defect pixel correction, SMART IR
<b>General</b>	
Operating Conditions	-40 °C – 60 °C (-40 °F – 140 °F), Humidity 90% or less (non-condensing)
Power Supply	12 VDC ± 15%; -A: 12 VDC/24 VAC ± 15%
Power Consumption	Max. 4.5W; -A: Max. 6.5W
Protection Level	IP66
IR Range	Up to 40m
Impact Protection	IK10
Communication	Up the coax, Protocol: HIKVISION-C (TVI output)
Dimensions	φ 145.2mm×124.1mm (φ5.72"×4.89")
Weight	Approx. 1600g ( 3.53lb)

## Order Models

DS-2CE56F7T-VPIT3Z, DS-2CE56F7T-AVPIT3Z

## Dimensions



Unit: mm

## Accessories



DS-1273ZJ-140

Wall Mounting



DS-1275ZJ

Vertical Pole Mounting



DS-1276ZJ

Corner Mounting



DS-1271ZJ-140

Pendant Mounting



DS-1273ZJ-140B

Wall Mounting



DS-1241ZJ

In-ceiling Mounting



DS-1240ZJ

Inclined Ceiling Mounting

Distributed by



### Headquarters

No.555 Qianmo Road, Binjiang District,  
Hangzhou 310051, China  
T +86-571-8807-5998  
[overseasbusiness@hikvision.com](mailto:overseasbusiness@hikvision.com)

**Hikvision USA**  
T +1-909-895-0400  
[sales.usa@hikvision.com](mailto:sales.usa@hikvision.com)

**Hikvision Italy**  
T +39-0438-6902  
[info.it@hikvision.com](mailto:info.it@hikvision.com)

**Hikvision Singapore**  
T +65-6684-4718  
[sg@hikvision.com](mailto:sg@hikvision.com)

**Hikvision Europe**  
T +31-23-5542770  
[saleseuro@hikvision.com](mailto:saleseuro@hikvision.com)

**Hikvision France**  
T +33(0)1-85-330-444  
[info.fr@hikvision.com](mailto:info.fr@hikvision.com)

**Hikvision Oceania**  
T +61-2-8599-4233  
[salesau@hikvision.com](mailto:salesau@hikvision.com)

**Hikvision Middle East**  
T +971-4-8816086  
[salesme@hikvision.com](mailto:salesme@hikvision.com)

**Hikvision Spain**  
T +34-91-737-16-55  
[info.es@hikvision.com](mailto:info.es@hikvision.com)

**Hikvision Hong Kong**  
T +852-2151-1761

**Hikvision Russia**  
T +7-495-669-67-99  
[sateru@hikvision.com](mailto:sateru@hikvision.com)

**Hikvision Poland**  
T +48-22-460-01-50  
[poland@hikvision.com](mailto:poland@hikvision.com)

**Hikvision Canada**  
T +1-909-895-0400  
[sales.usa@hikvision.com](mailto:sales.usa@hikvision.com)

**Hikvision India**  
T +91-22-28469900  
[sales@pramahikvision.com](mailto:sales@pramahikvision.com)

**Hikvision UK**  
T +44-1628-9021-4  
[support.uk@hikvision.com](mailto:support.uk@hikvision.com)