

HD Multisensor Dome Cameras

Avigilon offers a broad range of high definition cameras – from 1 – 5 MP and 4 – 7K (based on horizontal resolution) – and are available in a variety of formats, including dome, panoramic and fixed. Whether it's a small storefront that requires a few cameras or a large complex system requiring complete coverage of numerous areas, you can trust that you're getting an exceptional solution for your security needs.

The innovative HD Multisensor dome camera is just one way Avigilon can help provide the very best monitoring and protection.



Avigilon's HD Multisensor dome camera offers unsurpassed image quality and flexibility with multi-directional scene coverage. Available in 3 (9 MP) or 4 (12 MP) sensor configurations, each equipped with a remote zoom and focus lens, one HD Multisensor dome can replace a PTZ or multiple fixed cameras, requiring just a single installation with one ethernet cable and one camera license. Avigilon's innovative camera track design allows three or four individual camera gimbals to be individually positioned in flexible configurations to meet challenging field of view requirements. Available in 3 easy to install configurations; in-ceiling, and IP66 and IK10 rated surface mount and outdoor pendant, the HD Multisensor dome camera is ready for all environments.

KEY FEATURES

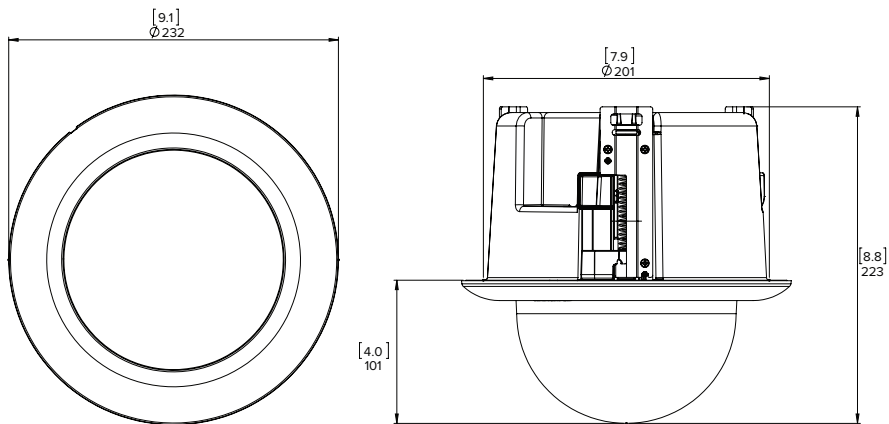
3 x 3 MP (9 MP) or 4 x 3 MP (12 MP) 1/3" Progressive scan sensor
Each lens is a 3 MP 2.8-8mm remote zoom and focus lens
H.264 and Motion JPEG compression
100dB Wide Dynamic Range performance
ONVIF compliant API
Automatic exposure control and iris control
Automatic removable IR cut filter for IR sensitivity at night
Power over Ethernet, 24 VAC or 24 VDC power input
External microphone and speaker support for two-way audio
External I/O interface for connecting alarms and relays
Supports broad environmental conditions for challenging outdoor installations

Specifications

	IN-CEILING MOUNT (H3-MH-DC)	SURFACE MOUNT (H3-MH-DO)	PENDANT MOUNT (H3-MH-DP)						
IMAGE PERFORMANCE (per image sensor)	Image Sensor	WDR 1/3" progressive scan CMOS							
	Active Pixels	per image sensor	2048 (H) x 1536 (V)						
		3 x image sensor	6144 (H) x 1536 (V)						
		4 x image sensor	8192 (H) x 1536 (V)						
	Imaging Area	4.5 mm (H) x 3.4 mm (V); 0.189" (H) x 0.106" (V)							
	Minimum Illumination	0.23 lux (F1.3) in color mode; 0.023 lux (F1.3) in monochrome mode							
	Dynamic Range	100 dB							
	Image Rate	3 image sensor model: 20 fps per image sensor 4 image sensor model: 15 fps per image sensor							
Resolution Scaling	Down to 352 x 240								
LENS (per image sensor)	Lens	2.8-8mm, F1.3, P-Iris, remote zoom and focus							
	Angle of View	32.5° - 93°							
IMAGE CONTROL	Image Compression Method	H.264 (MPEG-4 Part 10/AVC), Motion JPEG							
	Streaming	Multi-stream H.264 and Motion JPEG							
	Motion Detection	Selectable sensitivity and threshold							
	Electronic Shutter Control	Automatic, Manual (1/6 to 1/8000 sec)							
	Iris Control	Automatic, Manual							
	Day/Night Control	Automatic, Manual							
	Flicker Control	50 Hz, 60 Hz							
	White Balance	Automatic, Manual							
	Backlight Compensation	Adjustable							
	Privacy Zones	Up to 64 zones							
	Audio Compression Method	G.711 PCM 8 kHz							
	Audio Input/Output	Line level input and output							
	External I/O Terminals	Alarm In, Alarm Out							
	NETWORK	Network	100BASE-TX						
Cabling Type		CAT5							
Connector		RJ-45							
API		ONVIF compliance version 1.02, 2.00, Profile S (www.onvif.org)							
Security		Password protection, HTTPS encryption, digest authentication, WS authentication, user access log, 802.1x port based authentication							
Protocol		IPv4, HTTP, HTTPS, SOAP, DNS, NTP, RTSP, RTCP, RTP, TCP, UDP, IGMP, ICMP, DHCP, Zeroconf, ARP,							
Streaming Protocols		RTP/UDP, RTP/UDP multicast, RTP/RTSP/TCP, RTP/RTSP/HTTP/TCP, RTP/RTSP/HTTPS/TCP, HTTP							
Device Management Protocols		SNMP v2c, SNMP v3							
MECHANICAL		Dimensions (ØxH)	232 mm x 223 mm; 9.1" x 8.8"	213 mm x 159 mm; 8.4" x 6.3"	226 mm x 313 mm; 8.9" x 12.3"				
		Weight	2.18 kg (4.85 lbs)	3.3 kg (7.3 lbs)	3.9 kg (8.6 lbs)				
	Dome Bubble	Polycarbonate, clear	Nylon, clear						
	Body	Plastic	Aluminum	Aluminum					
	Housing	Recessed mount	Surface mount	Pendant mount					
	Finish	Plastic, cool grey	Powder coat, cool grey	Powder coat, cool grey					
	Tilt	+10° to +67° (depending on position of image sensors)							
	Pan	+/-12° to +/-30° (depending on position of image sensors)							
	Azimuth	+/- 180°							
	Onboard Storage	SD/SDHC/SDXC slot – minimum class 4; class 6 or better recommended							
	ELECTRICAL	Power Consumption	13 W with external power or IEEE 802.3af Class 3 PoE	26 W with external power or IEEE 802.3at Type 2 PoE Plus 13 W with IEEE 802.3af Class 3 power					
Power Source		VDC: 24 V +/- 10%, 13 W min VAC: 24 V +/- 10%, 19 VA min PoE: IEEE 802.3af Class 3	VDC: 24 V +/- 10%, 26 W min. VAC: 24 V +/- 10%, 37 VA min. PoE: IEEE 802.3af Class 3 or IEEE 802.3at Type 2	VDC: 24 V +/- 10%, 26 W min. VAC: 24 V +/- 10%, 37 VA min. PoE: IEEE 802.3af Class 3 or IEEE 802.3at Type 2					
Power Connector		2-pin terminal block	2-pin terminal block	Waterproof 2-pin connector					
RTC Backup Battery		3V Manganese Lithium	3V Manganese Lithium	3V Manganese Lithium					
ENVIRONMENTAL	Operating Temperature	-10 °C to +50 °C (14 °F to 122 °F)	-40 °C to +50 °C (-40 °F to 122 °F) with external power or IEEE 802.3at Type 2 PoE Plus -20 °C to +50 °C (-4 °F to 122 °F) with IEEE 802.3af Class 3 power						
	Storage Temperature	-10 °C to +70 °C (14 °F to 158 °F)		-10 °C to +70 °C (14 °F to 158 °F)					
	Humidity	0 - 95% non-condensing							
CERTIFICATIONS	Certifications	UL	cUL	CE	ROHS	WEEE	RCM	EAC	KC
	Safety	UL 60950-1			CSA 60950-1		IEC/EN 60950-1		
	Environmental				IK10 Impact Rating		Meets IP66 Weather Rating		
	Electromagnetic Emissions	IC ICES-003 Class B		FCC Part 15 Subpart B Class B	EN 55032 Class B		EN 61000-6-3	EN 61000-3-2	EN 61000-3-3
	Electromagnetic Immunity	EN 55024			EN 61000-6-1				

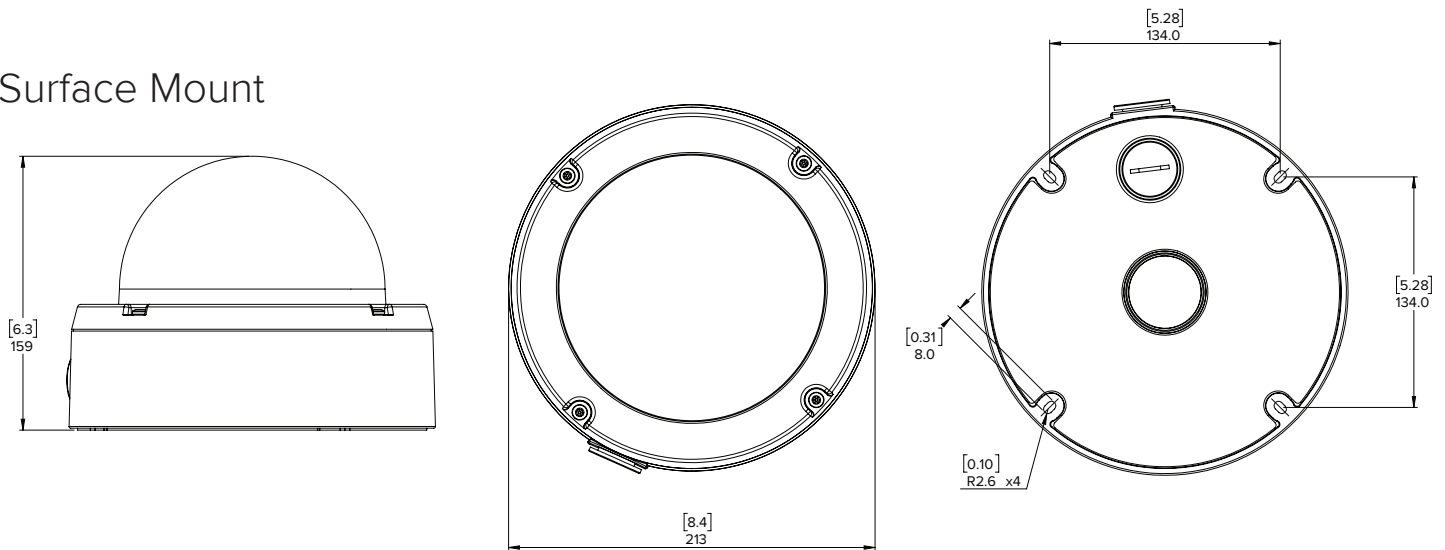
Outline Dimensions

In-Ceiling Mount

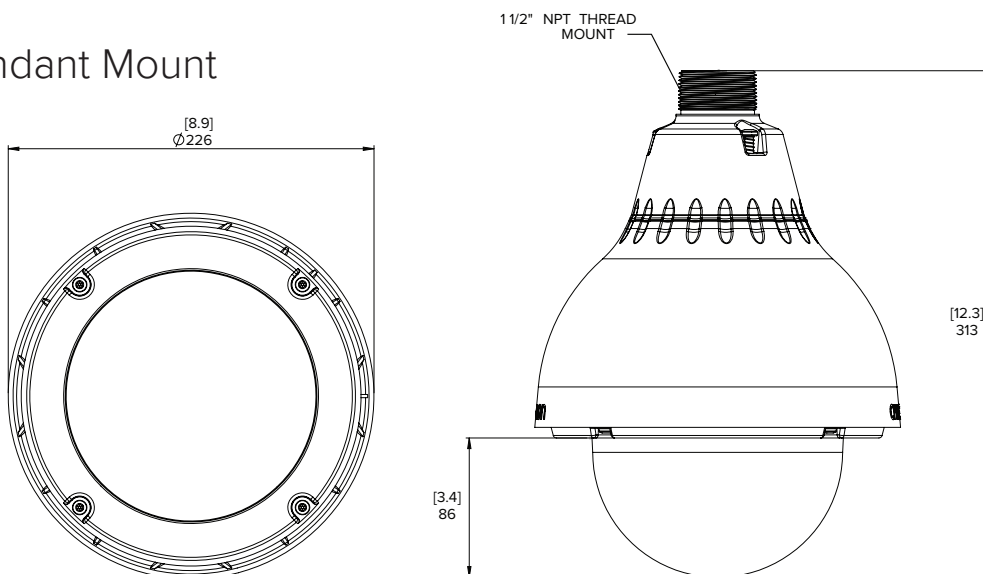


[X.X]	INCHES
X	MM

Surface Mount



Pendant Mount



Ordering Information

IN-CEILING MOUNT

9W-H3-3MH-DC1	3 x Image Sensor In-Ceiling HD Multisensor Dome Camera
12W-H3-4MH-DC1	4 x Image Sensor In-Ceiling HD Multisensor Dome Camera
PTZMH-DC-CLER1	PTZ In-Ceiling Dome Camera Cover with Clear Bubble
PTZMH-DC-SMOK1	PTZ In-Ceiling Dome Camera Cover with Smoked Bubble
PTZMH-DC-CPNL1	Metal Ceiling Panel

SURFACE MOUNT

9W-H3-3MH-DO1-B	3 Image Sensor Outdoor HD Multisensor Dome Camera
12W-H3-4MH-DO1-B	4 Image Sensor Outdoor HD Multisensor Dome Camera
PTZMH-DP-CLER1	Dome Camera Cover with Clear Bubble (IK10)
PTZMH-DP-SMOK1	Dome Camera Cover with Smoked Bubble (IK10)

PENDANT MOUNT

9W-H3-3MH-DP1-B	3 Image Sensor Pendant HD Multisensor Dome Camera
12W-H3-4MH-DP1-B	4 Image Sensor Pendant HD Multisensor Dome Camera
CM-MT-WALL1	Pendant wall mount
H4-MT-POLE1	Pole Mounting Bracket
H4-MT-CRNR1	Corner Mounting Bracket
PTZMH-DP-CLER1	Dome Camera Cover with Clear Bubble (IK10)
PTZMH-DP-SMOK1	Dome Camera Cover with Smoked Bubble (IK10)